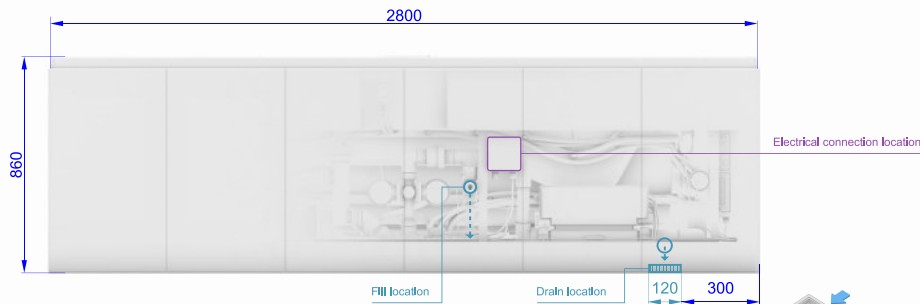
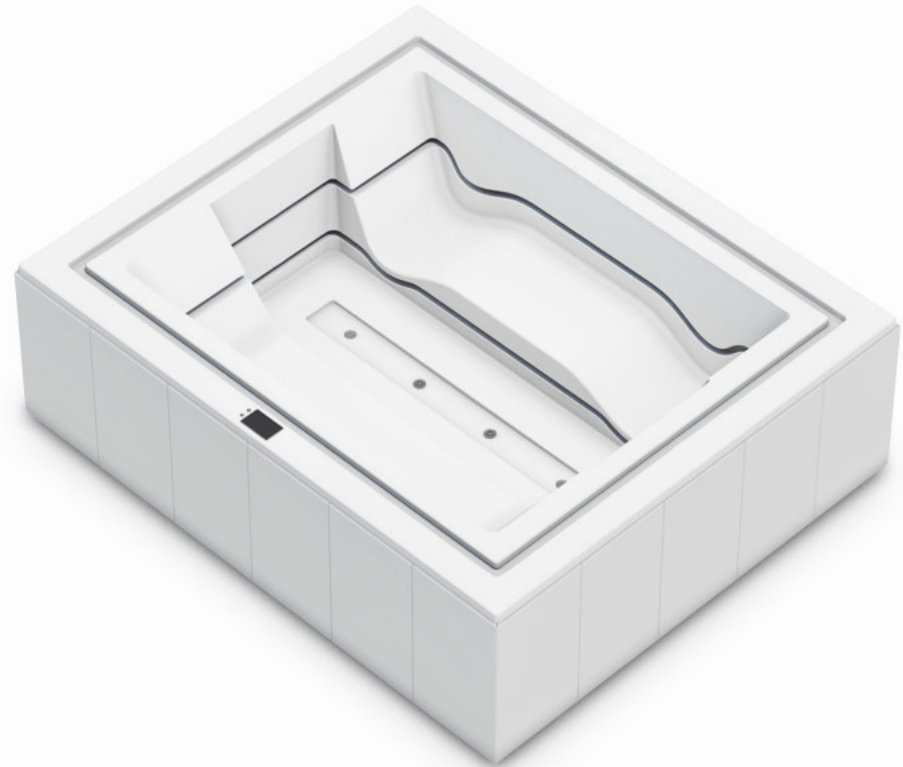
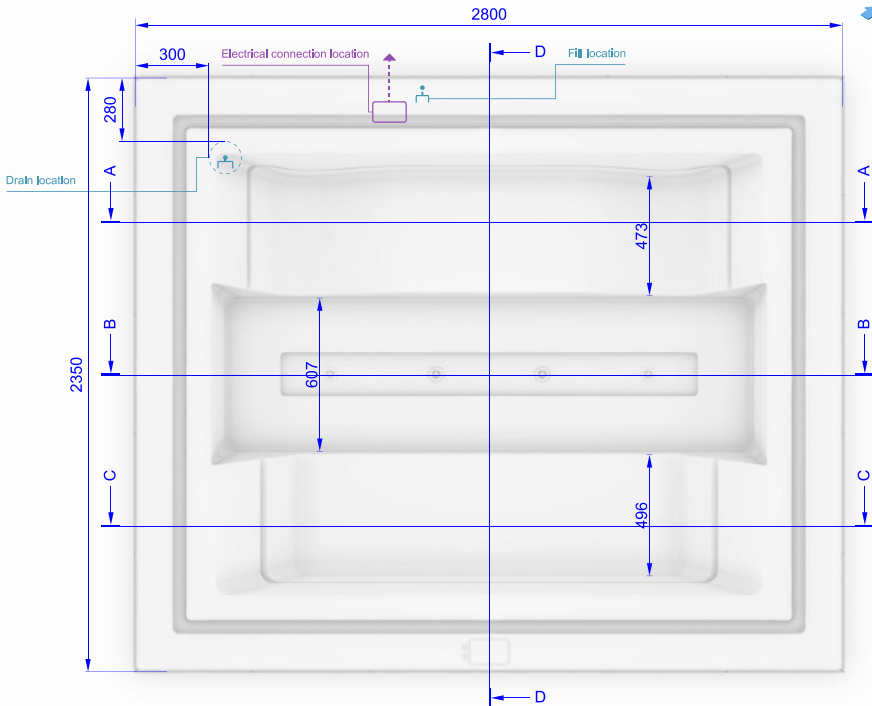
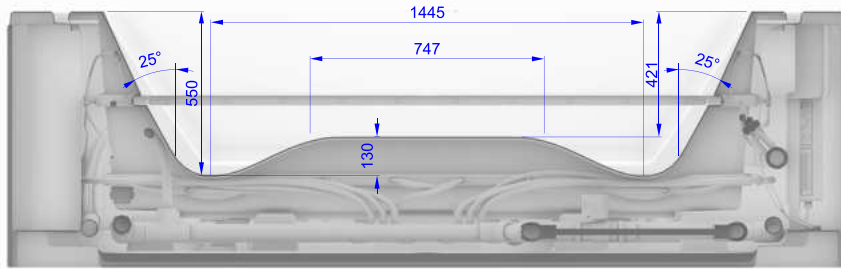


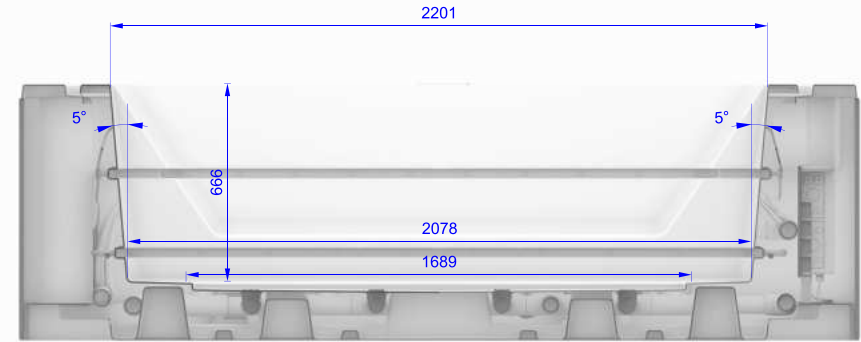
- Fill/ Drain location
- Electrical connection location



DRAWN	2024-09-16	<b>aquatica®</b>		
...				
QA		SIZE	DWG NO	REV
...		-		00
		SCALE		SHEET 1 OF 2



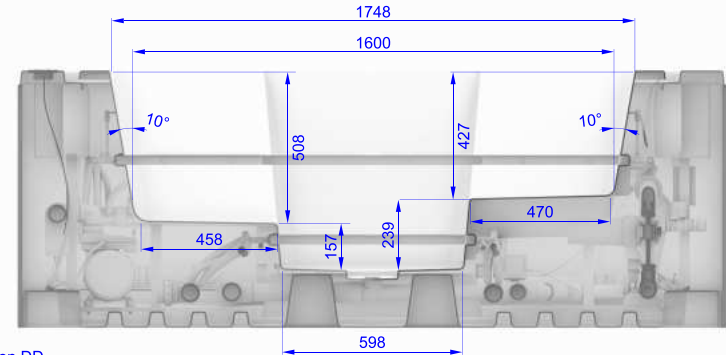
Section AA



Section BB



Section CC



Section DD

DRAWN	2024-09-16	<b>aquatica®</b> <b>VIBE Infinity Spa</b> <b>With Composite Siding</b>		
...				
QA				
...				
		SIZE	DWG NO	REV
		-		00
		SCALE		SHEET 2 OF 2